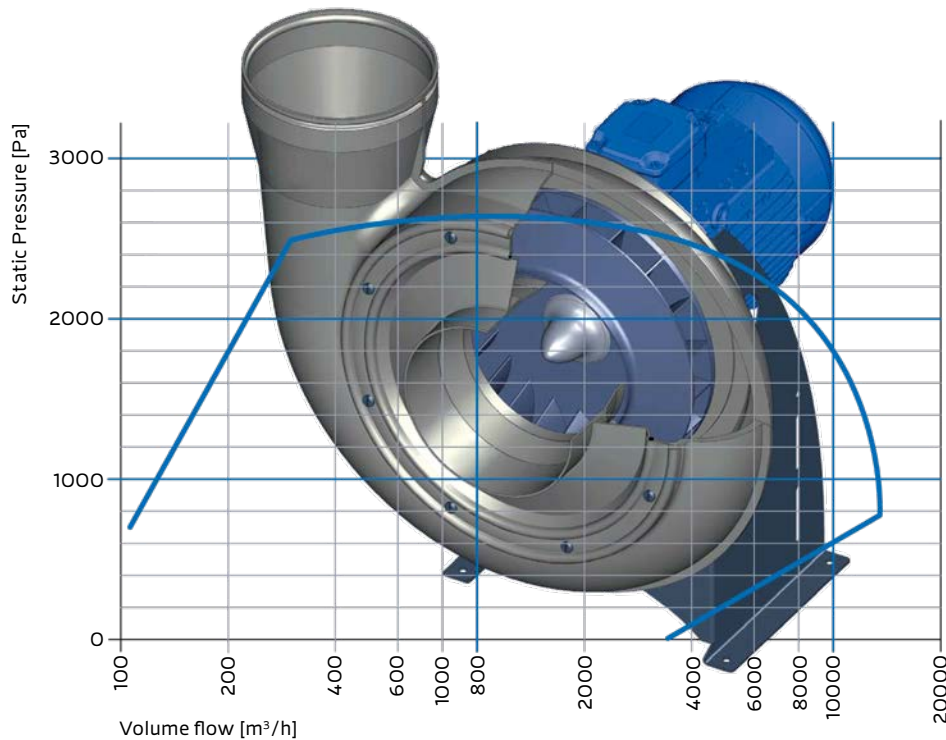


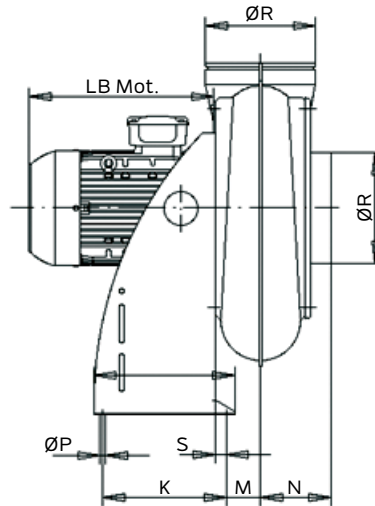
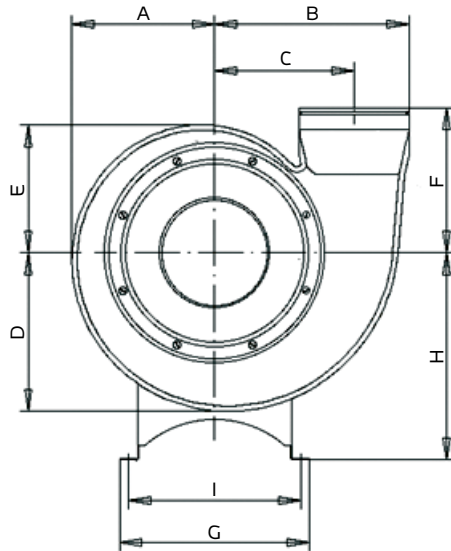
FANS

MEDIUM PRESSURE CENTRIFUGAL FANS MADE FROM PLASTIC

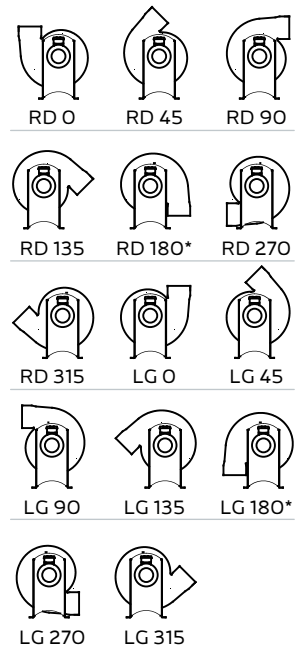


Specification	<p>Flow rate Min. 150 m³/h to max. 13,500 m³/h</p> <p>Static pressure Min. 50 Pa to max. 3000 Pa</p> <p>Efficiency Max. 75 %</p> <p>Intake and discharge Ø 125, 160, 200, 250, 315, 400 mm</p>
Casing material	PPs
Impeller material	PVDF
Properties	<p>Heat-resistant up to 90 °C</p> <p>Highly resistant to salts, acids and alkalis</p> <p>Flame resistant</p>
Accessories (included)	<p>Shaft sleeves with stainless steel band clamps</p> <p>Condensate drain</p> <p>Anti-vibration mounts for floor and ceiling mounting</p> <p>Shatter protection</p>
Accessories (optional)	<p>95 °C high limit safety cut-out including sensor well</p> <p>Frequency converter</p>

FOOTPRINT AND CONNECTION DIMENSIONS MEDIUM PRESSURE CENTRIFUGAL FANS



DISCHARGE POSITIONS



* On request

Intake and discharge Ø→	125	160	200	250	315	400
Dimensions (mm)						
A	188	226	275	336	415	452
B	227	286	355	441	554	641
C	164	206	255	316	396	441
D	206	252	310	380	471	527
E	170	200	241	293	359	378
F	200	225	275	330	400	425
G	270	290	380	430	480	580
H	250	310	380	470	580	670
I	240	260	350	390	440	540
K	220	220	260	275	325	360
L	250	250	290	315	365	400
M	35	47	64	78	102	133
N	110	120	140	160	190	220
ØP	10	10	10	10	10	10
ØR	125	160	200	250	315	400
S	15	15	15	20	20	20